

# MU Series

## 119 mm – 38 mm Thick



Operating Voltage Range: ±10% (Applies to each voltage)  
Overheat Protection: Impedance Protected  
Color  
Frame: Unpainted (Aluminum)    Blades: Black  
Materials  
Frame: Die Cast Aluminum  
Blades: Polycarbonate (Flammability grade V-0)

80 mm

92 mm

104 mm

119 mm

140 mm

160 mm

180 mm

200 mm

### Specifications



Speed Type	Product Name	Voltage VAC	Frequency Hz	Current A	Input W	Speed r/min	Max. Air Flow m <sup>3</sup> /min	Max. Static Pressure Pa	Noise Level dB (A)
Standard Speed	<b>MU1238A-51B</b>	Single-Phase 220	50	0.10	13.5	2800	2.7	81	43
		Single-Phase 230	50	0.11	16.0	2800	2.7	81	43
		Single-Phase 230	60	0.10	13.5	3250	3.0	81	46
Middle Speed	<b>MU1238B-51B</b>	Single-Phase 220	50	0.09	11.5	2500	2.2	52	38
		Single-Phase 230	50	0.09	14.0	2500	2.3	59	39
		Single-Phase 230	60	0.09	11.5	2800	2.5	52	40
Low Speed	<b>MU1238L-51B</b>	Single-Phase 220	50	0.06	7.5	2100	1.85	34	33
		Single-Phase 230	50	0.06	9.5	2100	1.9	34	34
		Single-Phase 230	60	0.06	7.5	2200	1.9	29	33

### Product Line

For the single-phase 100/115 VAC, the single-phase 200 VAC models, please contact the nearest Oriental Motor sales office.

#### Fan Only

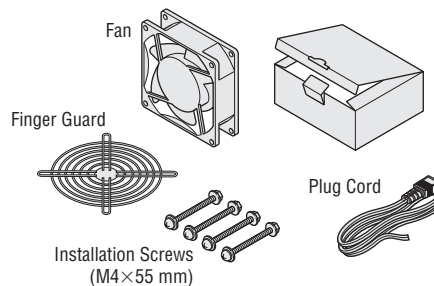
Product Name
<b>MU1238A-51B</b>
<b>MU1238B-51B</b>
<b>MU1238L-51B</b>

The following items are included with each product.  
Fan, Operating Manual

#### Fan Kit

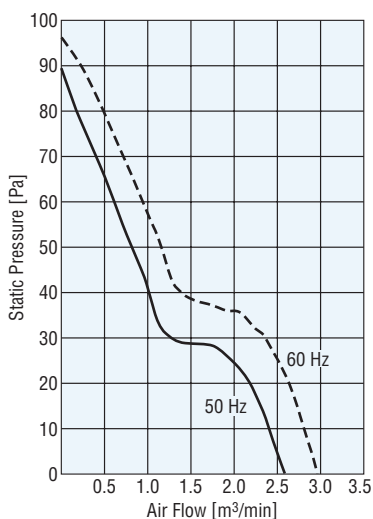
Product Name
<b>T-MU1238A-51-GP</b>
<b>T-MU1238B-51-GP</b>
<b>T-MU1238L-51-GP</b>

The following items are included in each kit.

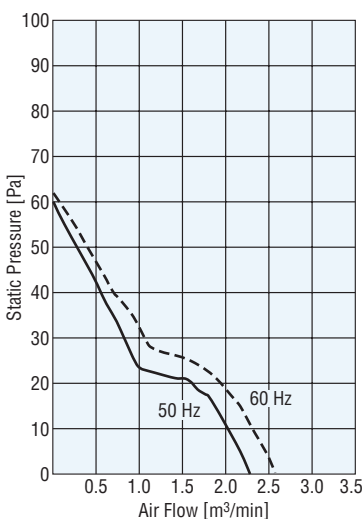


### Air Flow – Static Pressure Characteristics (The characteristics are applicable for the fan only.)

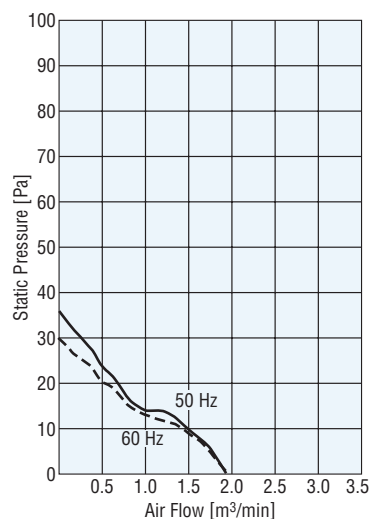
#### MU1238A



#### MU1238B

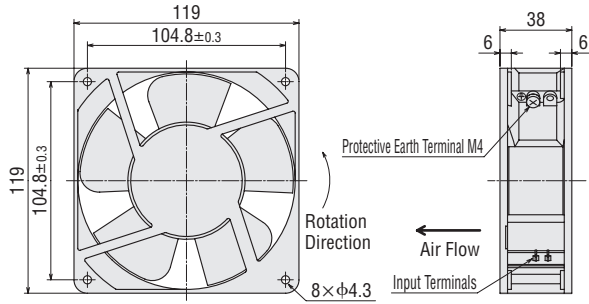


#### MU1238L

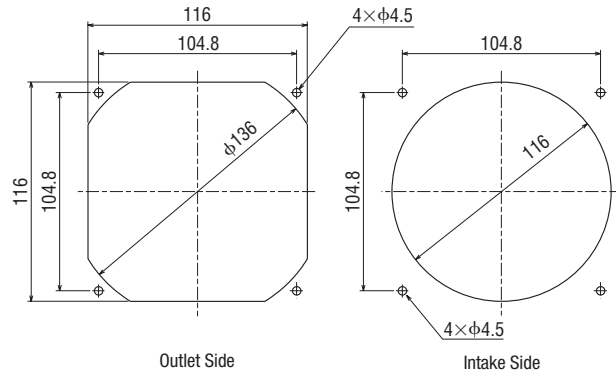


## Dimensions Unit: mm

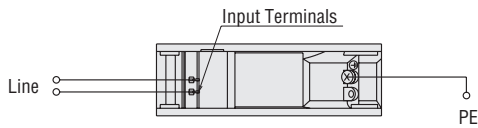
Mass: 0.53 kg



## Panel Cut-Out Unit: mm



## Connection Diagram



## Accessories

Product	Product Name
Finger Guard	<b>FG12D</b>
Stainless Steel Finger Guard	<b>FG12S</b>
Filter	<b>FL12</b>
Metallic Filter	<b>FLW12</b>
Screen	<b>FS12S</b>
Plug Cord	<b>PCA2B</b> (1 m)
	<b>PCA2B2</b> (2 m)

Overview,  
Product  
Series

Axial  
Flow  
Fans

AC Input  
Energy Saving,  
Variable Flow  
**EMU**

AC Input  
Energy Saving,  
Variable Flow  
**EMR**

AC Input  
Compact Size  
**MU**

AC Input  
Long-Life  
**MRE**

DC Input  
**MDS**  
**MD**

DC Input  
Alarm  
**MDA**

DC Input  
Long-Life  
**MDE**

Centrifugal  
Blowers

AC Input  
**MB**  
DC Input  
**MBD**

Cross Flow Fans

AC Input  
**MF**  
DC Input  
**MFD**

Accessories

Installation